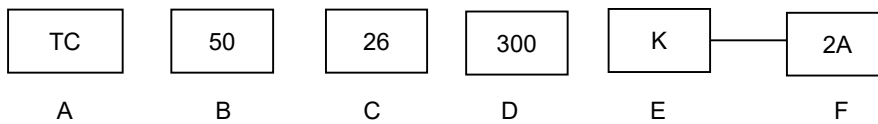


磁环电感器
Toroidal Clils
◆特征
Feature

- * 大电流，高磁导，高饱和，温度稳定性。；
High current, high magnetic conductivity, high saturation, temperature stability.
- * 工业生产标准尺寸及多种脚型产品。
Standard size, various lead configuration.


◆应用
Application

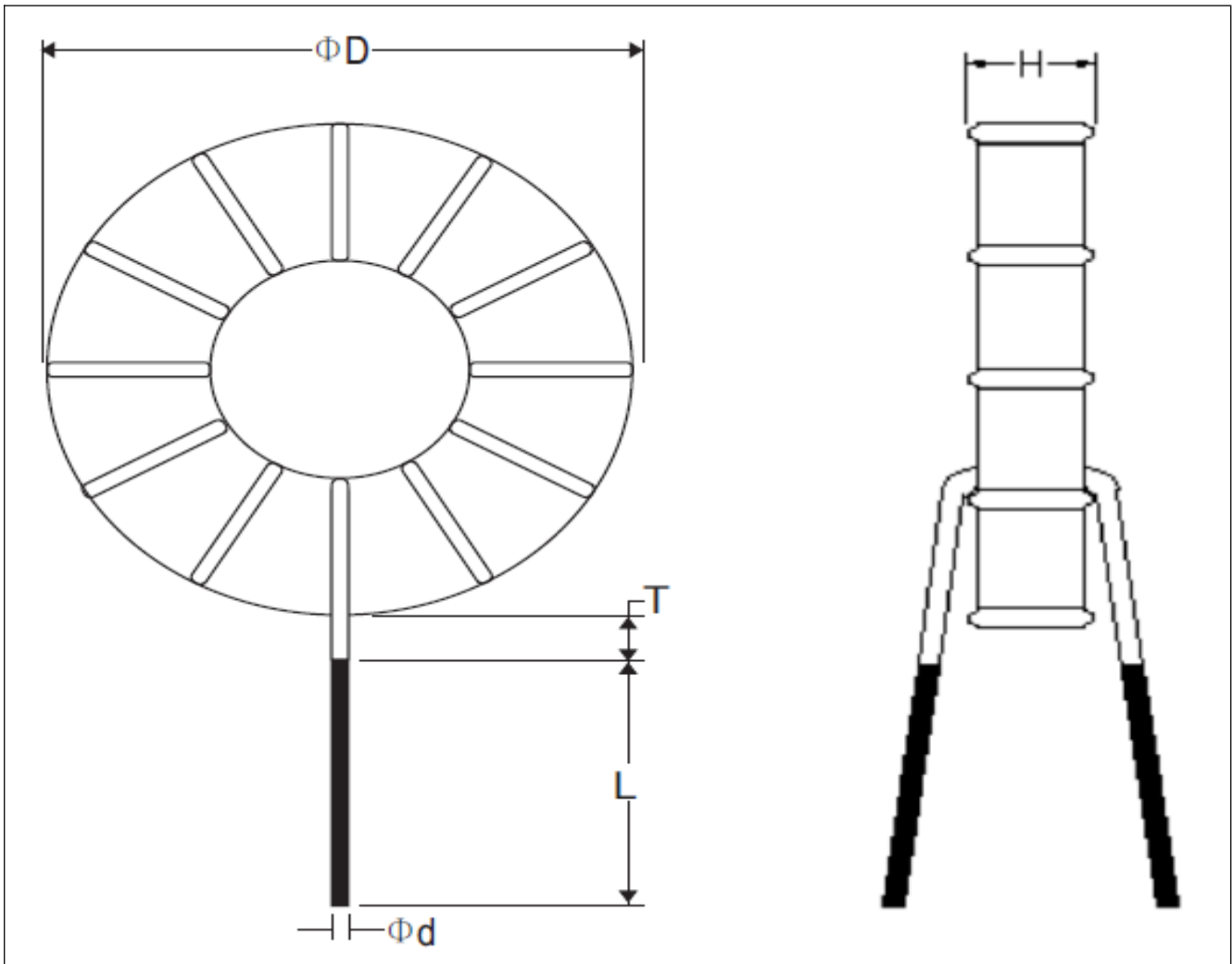
- * 一般用途品
General purpose goods

◆型号表示法
Part Number


项目 Item	代码 code	描述 Description
A	TC	磁环线圈 Toroidal coil
B	50	磁芯外径 Core outer diameter 0.5inch
C	26	磁芯材质 Core material
D	300	标称电感量 Nominal Inductance
E	K	感量偏差 Tolerance J:5% K:10% M:20%
F	2A	额定电流 Rated current

◆外型尺寸

Size code,



尺寸 Dimensions(mm)

ΦD	H	Φd	L	T
6.0-45.5	2.5-21.5	0.12-2.0	8.0 (Min)	2.0 (Min)

◆性能参数及测试条件
ELECTRICAL CHARACTERISTICS & TEST CONDITIONS

产品型号 Part NO.	标称电感量 Nominal Inductance (μH)	误差 Tolerance	直流电阻 RDC (Ω) Max	额定电流 Rated current IDC(A) Max	尺寸 Dimension ΦD H(mm)
TC2026-5R0-0.5A	5.0	M: 20%	0.30	0.5	6.0*3.0
TC2026-8R2-2A	8.2		0.65	2.0	12.0*5.0
TC2026-9R0-0.3A	9.0		0.25	0.3	6.0*2.5
TC3026-100-2A	10.0		0.65	2.0	10.5*5.5
TC3026-120-1A	12.0		0.45	1.0	9.5*5.5
TC2026-150-0.5A	15.0		0.30	0.5	6.0*3.0
TC4426-150-0.5A	15.0		0.65	2.0	13.0*6.0
TC2026-200-0.2A	20.0		0.20	0.2	6.0*2.5
TC5026-200-3A	20.0		0.80	3.0	15.0*7.0
TC3726-220-2A	22.0		0.65	2.0	12.0*6.0
TC6026-220-5A	22.0		1.00	5.0	18.0*10.0
TC3726-240-1A	24.0		0.45	1.0	11.0*5.0
TC6826-250-5A	25.0		1.00	5.0	21.0*8.0
TC2026-270-0.1A	27.0		K: 10%	0.14	0.1
TC2026-270-0.3A	27.0	0.25		0.3	6.0*3.0
TC6026-290-4A	29.0	0.90		4.0	18.0*10.0
TC5026-300-2A	30.0	0.65		2.0	15.0*7.0
TC10626-300-10A	30.0	1.60		10.0	34.0*17.0
TC3026-320-1A	32.0	0.45		1.0	9.5*5.5
TC6826-320-4A	32.0	0.90		4.0	21.0*8.0
TC6026-350-3A	35.0	0.80		3.0	18.0*9.0
TC10626-350-10A	35.0	1.60		10.0	34.0*17.0
TC3026-350-0.5A	35.0	0.3		0.5	9.0*4.5
TC4426-430-1A	43.0	J: 5%	0.45	1.0	13.0*5.5
TC6826-430-3A	43.0		0.8	3.0	21.0*8.0
TC8026-500-5A	50.0		1.0	5.0	24.0*10.0
TC3726-560-0.5A	56.0		0.3	0.5	11.0*5.0
TC10626-560-7A	56.0		1.2	7.0	33.0*16.0
TC6026-580-2A	58.0		0.65	2.0	17.0*8.0
环境温度 Ambient tempertuer	18-25℃				
环境湿度 Ambient humidity	45%-75%				